



Quality Products Since 1968

## Vertical TMR Feed Mixers - Twin Screw Trailer

### Standard Features

- ♦ Standard hydraulic cross conveyor to feed both sides
- ♦ Large diameter auger with 5/8" thick flighting
- ♦ Tungsten coated knives
- ♦ Adjustable knives for more aggressive mixing action
- ♦ Adjustable and replaceable hitch for ease of hook on various draw bar heights
- ♦ 3/4" thick adjustable hay restrictor plates
- ♦ PTO drive assembly with shear bolt for equipment protection
- ♦ Exclusive multi-lobe PTO drive shaft that provides constant lubrication
- ♦ Two speed gearbox (standard on models 2820 & 2950 only)
- ♦ Door cylinder equipped with relief valve protection
- ♦ Planetary drive system with easily accessible service and maintenance lubrication points
- ♦ Rear light kit
- ♦ Safety chains
- ♦ All twin screw vertical mixers come complete with a 4-point Digi-Star weigh bar scale system including a basic read up, read down electronic indicator

### Options

- ♦ Hydraulic raise & lower discharge conveyor extensions in many lengths
- ♦ Magnet kit available for unloading conveyor
- ♦ Two speed gearbox for better mixing power (models 2580 & 2690 only)
- ♦ Hydraulic shifter for two speed gearbox
- ♦ Chain overflow kit to retain light mixes in tub
- ♦ Rubber extension for larger capacity mixes
- ♦ Ladder platform
- ♦ 2<sup>nd</sup> sweep on augers
- ♦ Upgrade to various electronic scale indicators and accessories
- ♦ Aircraft tires
- ♦ Knife option – carbide tip
- ♦ Rear commodity door
- ♦ Stainless liner – walls, floor or auger available
- ♦ Rear wireless camera

Manufactured by:

**Helm Welding (1983) Limited**



## Vertical Twin Screw Trailer Specification Table

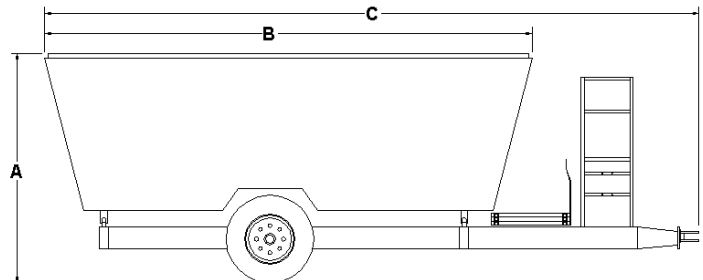
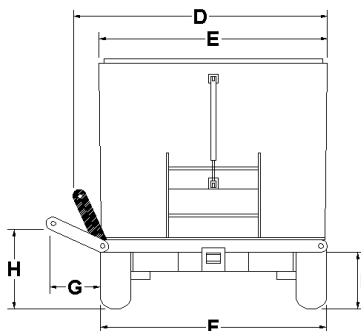


MODEL	2580	2690	2820	2950 (Single Axle)	2950 (Tandem Axle)
Base Mixing Capacity (cubic feet)	580	690	820	950	950
Capacity with 9" rubber extension (cubic feet)	660	780	930	1100*	1100*
A - Overall Height	103	113	107	115	130
B - Tub Length	222	234	251	263	263
C - Overall Length	288	294	299	315	315
D - Overall Transport Width					
- Bi-direction conv.	102	102	102	102	102
- 36" Conveyor Extension	110	110	116	116	116
E - Tub Width	87.5	87.5	102	102	102
F - Tread Width	102	102	102	102	102
G - 36" Conveyor Ext					
- lowest position reach	24	24	24	24	24
H - 36" Conveyor Ext					
- min. unloading height	36	36	36	36	36
- max. unloading height	51	51	51	51	51
I - Bi-direction Cross Conv.					
- max. unloading height	25	25	25	25	25
Scale System	4 point	4 point	4 point	4 point	4 point
Tires	425/65R22.5 (2)	425/65R22.5 (2)	425/65R22.5 (2)**	425/65R22.5 (2)	385/65R22.5 (4)
Number of Augers	2	2	2	2	2
Tungsten Coated Knives (qty)	6	7	7	8	8
Auger Flighting (thickness)	5/8	5/8	5/8	5/8	5/8
Floor Thickness (excluding 5/8" support plates)	3/4	3/4	3/4	3/4	3/4
Hopper Wall (thickness)	1/4	1/4	1/4	1/4	1/4
Door Opening (width x height)	44 x 30	44 x 30	44 x 30	44 x 30	44 x 30
PTO (* 540 rpm available)	1000 rpm *	1000 rpm *	1000 rpm	1000 rpm	1000 rpm
Approx. Weight c/w cross conveyor & ext. (Lbs.)	15,500	15,775	17,250	17,550	19,100

\* Model 2950 with 12" rubber extension

Unless otherwise indicated, all dimensions are in inches and pounds with standard equipment installed. Specifications subject to change without notice. Certain features shown may be optional.

\*\*Model 2820 available with tandem axle





Quality Products Since 1968

### Vertical TMR Feed Mixers - Twin Screw Truck Mounts

Truck mounted mixers are designed to fit the farmer's special needs.

Any of our twin screw trailer models can be mounted on trucks.

Various drive and discharge options are available.

Contact your local dealer or Helm Welding directly for special requirements and pricing on a proven, well manufactured truck mount mixer.

Manufactured by:

**Helm Welding (1983) Limited**